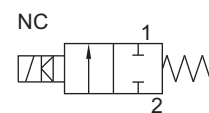


28 NB PULSE JET SOLENOID VALVE

TYPE	PRESSURE

TYPE	PRESSURE

TYPE	PRESSURE
24108	0.5 - 8.5 bar
24108ET	0.5 - 8.5 bar



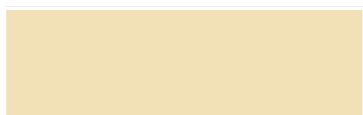
FEATURES

- Hytrel Diaphragm
- Larger exhaust area protected with silencer for reducing noise
- Solenoid capable of turning 360°

WETTED PARTS

Code	※	B12
Body and Internals	Aluminium Die Cast	SS 316 Cast
Guide Assembly	SS 304	
Shadow-Ring	Copper	
Plunger, Insert	SS 430	
Diaphragm	Hytrel, Viton, NBR	
Fasteners	SS 304	
Seat, Seals	NBR, Viton, PTFE	

SPECIFICATION



RESPONSE TIME 30 ms
MINIMUM ELECTRICAL PULSE 50 ms

AMBIENT TEMPERATURE

-5 °C to 85 °C

FLUID TEMPERATURE

-5 °C to 85 °C

SPECIAL VERSIONS AND SUFFIX

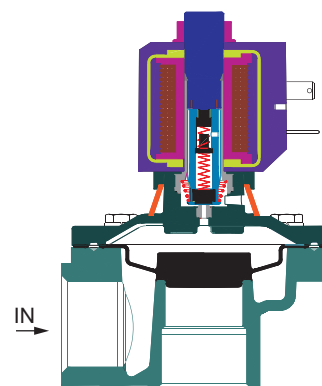
Suffix : (Valve) AM
Special versions : (Solenoid) CO, FR, SS

PORT CONNECTION

FUNCTION	INLET	OUTLET
NC	2	1

Contact Rotex for

- Any other Ambient, Fluid Temperature, Media and application



SPARES (Refer page 25 for ordering code)

SPARE KIT	CODE
Diaphragm Kit : Diaphragm Kit	100
Seal Kit : Oring Set, Diaphragm Kit, Plunger Assembly	98
Repair Kit : Oring Set, Diaphragm Kit, Plunger Assembly, Fastener, Springs, Silencer, Guide Assembly	99
Solenoid Kit : Solenoid, Gasket and Nut	34

APPROVAL (★ applied for)

Approval	TYPE 4X, 6P	IP67	Ex d IIC T4 or T5 or T6 IP66	Ex ia IIC T6 IP67	DGMS	CCOE
		✓	✓		✓	✓
		✓	✓			
	✓		*			
			✓			
			✓			
			✓	✓		



28 NB PULSE JET SOLENOID VALVE

SPECIFICATION

PORT CONNECTION			PRE-SURE bar		ORIFICE (mm)	FLOW FACTOR Kv (LPM OF WATER @ 1 bar ΔP)	VALVE TYPE	PILOT PRESSURE	BODY MATERIAL AND INTERNALS				SEALS			MANUAL OVERRIDE		SOLENOID ENCLOSURE		POWER VA			CONSTRUCTION REFERENCE NUMBER		
SIZE	BSP(F)	NPT(F)	MINIMUM	MAXIMUM					ALUMINIUM	ALUMINIUM + SS	BRASS (STD. PORT NPT)	CF8M (STD. PORT NPT)	NBR	EPDM	HYTREL	TPU	NIL	STAYPUT CUM MOMENTARY	MOMENTARY	WEATHER PROOF	EXPLOSION PROOF	AC INRUSH		AC HOLDING	DC
INTEGRAL PILOT																									
3/4"	6G	6R	0.5	8.5	28	280	24108	*		B12	S0	S2	*					22	T	E	14	18	12	8	P3
			0.5	8.5	28	280	24108ET	*		B12	S8								22	T	E	14	18	12	8
1"	8G	8R	0.5	8.5	28	310	24108	*		B12	S0	S2	*	S25				22	T	E	14	18	12	8	P3
			0.5	8.5	28	310	24108ET	*		B12	S8								22	T	E	14	18	12	8

Cable Entry	T	E	
		Öc/Ä	Öc/Ä / ä
M20 x 1.5	FJ	HU	iiTÜ
M25 x 1.5		ii	iiSV
1/2" NPT	Fj	H	iiPÜ

* = Do not specify when opted for. Refer Page # 22 for Value of *

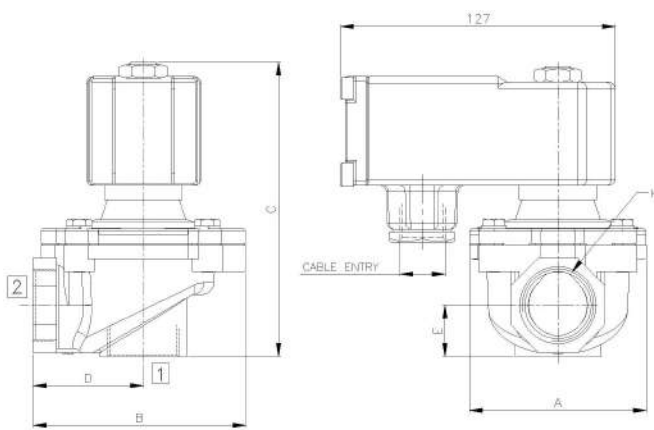
ORDERING CODE, EXAMPLE VALVE + SOLENOID

TYPE – ORIFICE – PORT CONNECTION – BODY AND INTERNALS – SEAL - MEDIA +
 VOLTAGE- CURRENT– SOLENOID ENCLOSURE – POWER – INSULATION – APPROVAL
 e.g. 24108-28-8G+I-110V 50Hz-16, 24108ET-28-8G-S8+III-110V 50Hz-16-H

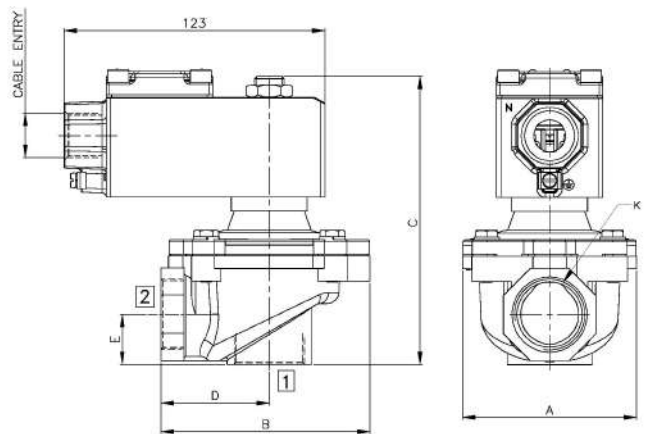
DIMENSIONS

All Dimensions are in mm

CONSTRUCTION REFERENCE P3



Ex ia SOLENOID WITH BOOSTER CIRCUIT



TERMINAL BOX/ Ex d TYPE 16, 19, 37, 39, 58, 58LT

VALVE TYPE	PIPE CONN.	A	B	C	D	E
24108-28	3/4"	82	99	139	51	24
24108-28	1"	82	99	139	51	24

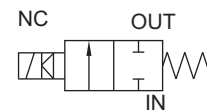
VALVE TYPE	PIPE CONN.	A	B	C	D	E
24108ET-28	3/4"	82	99	139	51	24
24108ET-28	1"	82	99	139	51	24

50 NB DOUBLE DIAPHRAGM, PULSE JET SOLENOID VALVE

TYPE	PRESSURE

TYPE	PRESSURE
24106	0.5 - 8.5 bar
24106A	0.5 - 8.5 bar
24106T	0.5 - 8.5 bar

TYPE	PRESSURE
24113	1.5 - 8.5 bar
24106ET	0.5 - 8.5 bar



FEATURES

- Pulse jet valve with two diaphragm designed for large flow, fast ON and OFF response
- Unique profile of the diaphragm eliminates Spring
- Larger exhaust area for reducing noise
- Solenoid capable of turning 360°

WETTED PARTS

Code	※	B12
Body and Internals	Aluminium Die Cast	CF8M SS316 Cast
Guide Assembly	SS 304	
Shadow-Ring	Copper	
Plunger, Insert	SS 430	
Diaphragm	Hytrel, Viton, NBR	
Fasteners	SS 304	
Seat, Seals	NBR, Viton, PTFE	

SPECIFICATION

RESPONSE TIME 25 ms
MINIMUM ELECTRICAL PULSE 40 ms

AMBIENT TEMPERATURE

-5 °C to 85 °C

FLUID TEMPERATURE

-5 °C to 85 °C

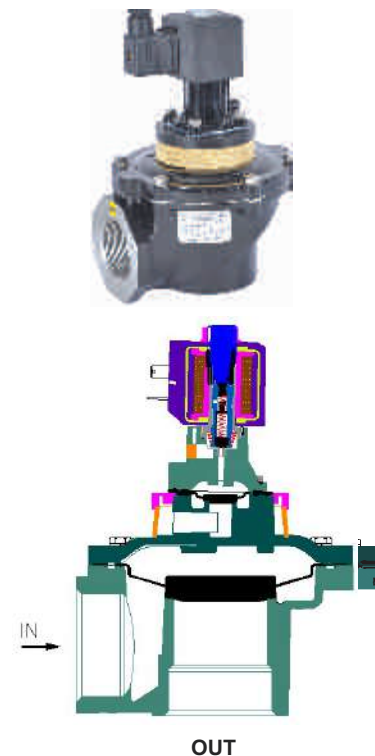
SPECIAL VERSION AND SUFFIX

Suffix : (Valve) AM
Special version : (Solenoid) CO, FR, SS

PORT CONNECTION

FUNCTION	INLET	OUTLET
NC	2	1

Contact Rotex for
• Any other ambient, fluid temperature, media and application



SPARES

(Refer page 25 for ordering code)

SPARE KIT	CODE
Diaphragm Kit : Diaphragm Kit	100
Seal Kit : Oring Set, Diaphragm Kit Plunger Assembly	98
Repair Kit : Oring Set, Diaphragm Kit, Plunger Assembly, Fastener, Springs, Silencer, Guide Assembly	99
Solenoid Kit : Solenoid, Gasket and Nut	34

APPROVAL

(★ applied for)

Approval	TYPE 4X, 6P	IP67	Ex d IIC T4 or T5 or T6 IP66	Ex ia IIC T6 IP67	DGMS	CCOE
		✓	✓		✓	✓
CE		✓	✓			
UL	✓		*			
			✓			
EAC			✓			
			✓			



40/ 50 NB DOUBLE DIAPHRAGM, PULSE JET SOLENOID VALVE

SPECIFICATION

PORT CONNECTION			PRE-PRESSURE bar		ORIFICE (mm)	FLOW FACTOR Kv (LPM OF WATER @ 1 bar ΔP)	VALVE TYPE	PILOT PRESSURE	BODY MATERIAL AND INTERNALS			SEALS			MANUAL OVERRIDE	SOLENOID ENCLOSURE				POWER VA			CONSTRUCTION REFERENCE NUMBER				
SIZE	BSP(F)	NPT(F)	MINIMUM	MAXIMUM					ALUMINIUM	ALUMINIUM + SS	BRASS (STD. PORT NPT)	CF8M/SS316 (STD. PORT NPT)	NBR	EPDM		HYTREL	PTFE	NIL	STAYPUT CUM MOMENTARY	MOMENTARY	FLYING LEAD	PLUG IN, IP67		SQ. PLUG IN, IP67	TERMINAL BOX IP67	EXPLOSION PROOF IIC, IP67	LARGE ENCLOSURE
INTEGRAL PILOT																											
11/2"	12G	12R	0.5	8.5	52	1100	24106	*					S0	S2	*			22	T	E	14			18	12	8	P7
11/2"	12G	12R	0.5	8.5	52	1100	24106T	*					S0	S2	*			22	T	E	14			18	12	8	P7
11/2"	12G	12R	0.5	8.5	52	1100	24106A	*		B12			S0	S2	*			22	T	E	14			18	12	8	P7
11/2"	12G		1.5	16	52	1100	24113	*					S0	S2	*			22	T	E	14			18	12	8	P7
2"	16G	16R	0.5	8.5	52	1300	24106	*		B12			S0	S2	*			22	T	E	14			18	12	8	P7
2"	16G		0.5	8.5	65	1800	24106	*					S0	S2	*			22	T	E	14			18	12	8	P7
2 1/2"	20G	20R	0.5	8.5	65	2000	24106	*					S0	S2	*			22	T	E	14			18	12	8	P7
3"	24G	24R	0.5	8.5	80	2800	24106	*					S0	S2	*			22	T	E	14			18	12	8	P7
1 1/2"	12G	12R	0.5	8.5	52	1100	24106ET	*					S8					22	T	E	14			18	12	8	P7
1 1/2"	12G		0.5	8.5	52	1100	24106AET	*		B12			S8					22	T	E	14			18	12	8	P7
2"	16G	16R	0.5	8.5	52	1300	24106ET	*		B12			S8					22	T	E	14			18	12	8	P7
2"	16G		0.5	8.5	65	1800	24106ET	*					S8					22	T	E	14			18	12	8	P7
2 1/2"	20G	20R	0.5	8.5	65	2000	24106ET	*					S8					22	T	E	14			18	12	8	P7
3"	24G	24R	0.5	8.5	80	2800	24106ET	*					S8					22	T	E	14			18	12	8	P7

Cable Entry	T	ÖzA	E	ÖzA	ä
M20 x 1.5	FJ	HU	iiTÜ	iiTÜ	iiSVTÜ
M25 x 1.5		ii	ii	ii	iiSV
1/2" NPT	FJ	H	iiTÜ	iiTÜ	iiSVTÜ

* = Do not specify when opted for. Refer Page # 22 for Value of *

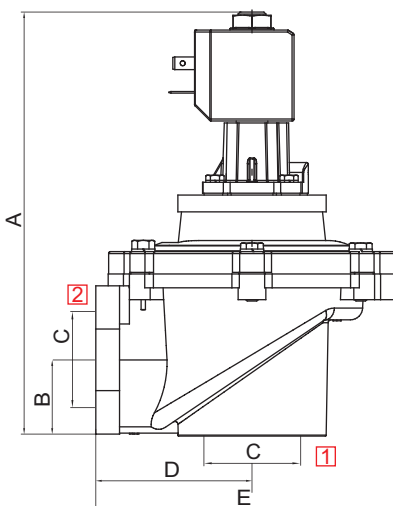
ORDERING CODE, EXAMPLE VALVE + SOLENOID

TYPE - ORIFICE - PORT CONNECTION - BODY AND INTERNALS - SEAL +
 VOLTAGE - CURRENT - SOLENOID ENCLOSURE - POWER - INSULATION - APPROVAL
 e.g. 24106-65-16G+I-230V-50Hz-16, 24106ET-65-16G-S8+I-230V-50Hz-16-H

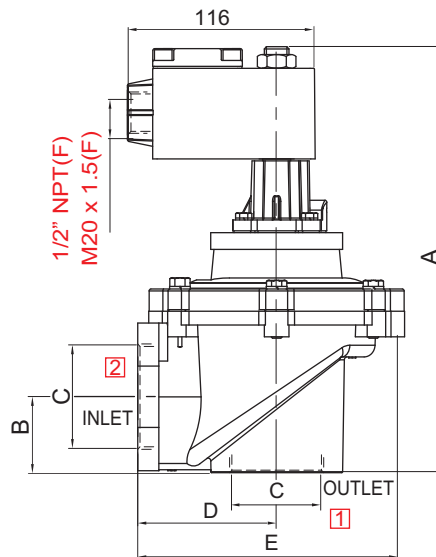
DIMENSIONS

All Dimensions are in mm

CONSTRUCTION REFERENCE P7



PLUG IN SOLENOID TYPE 22



TERMINAL BOX/ Ex d TYPE 16, 19, 37, 39, 58, 58LT

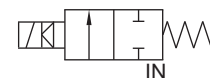
VALVE TYPE	NW	PIPE CONN.	A	B	C	D	E
24106	52	1 1/2"	209	38.5	11/2"	79	151.5
24106T	52	1 1/2"	209	38.5	11/2"	79	151.5
24106	52	2"	220	38.5	2"	79	151.5
24106A	52	1 1/2"	202	32.5	11/2"	72	144.5
24106	65	2"	236	45	2"	96	180
24106	65	2 1/2"	236	45	2 1/2"	96	180
24113	52	1 1/2"	209	38.5	11/2"	79	151.5
24106ET	52	1 1/2"	209	38.5	11/2"	79	151.5
24106ET	52	2"	220	38.5	2"	79	151.5
24106AET	52	1 1/2"	202	32.5	11/2"	72	144.5
24106ET	65	2"	236	45	2"	96	180
24106ET	65	2 1/2"	236	45	2 1/2"	96	180
24106	80	3"	271	52.5	3"	105	205

25 NB DRESSER NUT PULSE JET SOLENOID VALVE

TYPE	PRESSURE

TYPE	PRESSURE

TYPE	PRESSURE
24108AD	0.5 - 8.5 bar



FEATURES

- Larger exhaust area for reducing noise
- Solenoid capable of turning 360°
- Direct pipe mounted
- Easily removable

WETTED PARTS

Code	※
Body and Internals	Aluminium Die Cast
Guide Assembly	SS 304
Shadow-Ring	Copper
Plunger, Insert	SS 430
Diaphragm	Hytrel, Viton
Fasteners	SS 304
Seat, Seals	NBR, Viton

SPECIFICATION

FLOW FACTOR

RESPONSE TIME 30 ms
MINIMUM ELECTRICAL PULSE 30 ms

AMBIENT TEMPERATURE

-5 °C to 85 °C

FLUID TEMPERATURE

-5 °C to 85 °C

PORT CONNECTION

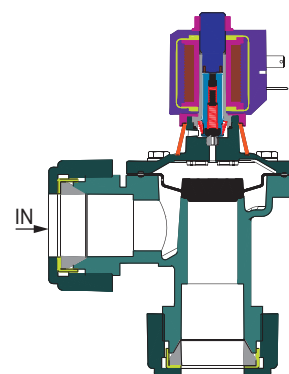
FUNCTION	INLET	OUTLET
NC	2	1

Contact Rotex for
• Any other ambient, fluid temperature, media and application



CONTACT ROTEX BEFORE SELECTING THIS ITEM

SM



SPARES

(Refer page 25 for ordering code)

SPARE KIT	CODE
Diaphragm Kit : Diaphragm Kit	100
Seal Kit : Oring Set Diaphragm Kit, Plunger Assembly	98
Repair Kit : Oring Set, Diaphragm, Plunger Assembly, Fastener, Springs, Dresser Nut, Silencer, Guide Assembly	99
Solenoid Kit : Solenoid, Gasket and Nut	34

APPROVAL

(※ applied for)

Approval	TYPE 4X, 6P	IP67	Ex d IIC T4 or T5 or T6 IP66	Ex ia IIC T6 IP67	DGMS	CCOE
		✓	✓		✓	✓
CE		✓	✓			
UL	✓		*			
			✓			
EAC			✓			
			✓			

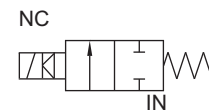


40 NB DRESSER NUT DOUBLE DIAPHRAGM PULSE JET SOLENOID VALVE

TYPE	PRESSURE

TYPE	PRESSURE

TYPE	PRESSURE
24106	0.5 - 8.5 bar



FEATURES

- Pulse jet valve with two diaphragm designed for large flow, fast ON and OFF response
- Larger exhaust area for reducing noise
- Solenoid capable of turning 360°
- Direct pipe mounted
- Easily removable

WETTED PARTS

Code	※
Body and Internals	Aluminium Die Cast
Guide Assembly	SS 304
Shadow-Ring	Copper
Plunger, Insert	SS 430
Diaphragm	Hytrel, Viton
Fasteners	SS 304
Seat, Seals	NBR, Viton

SPECIFICATION

FLOW FACTOR

RESPONSE TIME 25 ms
MINIMUM ELECTRICAL PULSE 40 ms

AMBIENT TEMPERATURE

-5 °C to 85 °C

FLUID TEMPERATURE

-5 °C to 85 °C

SPECIAL VERSION AND SUFFIX

Suffix : (Valve) AM
Special version : (Solenoid) CO, FR, SS

PORT CONNECTION

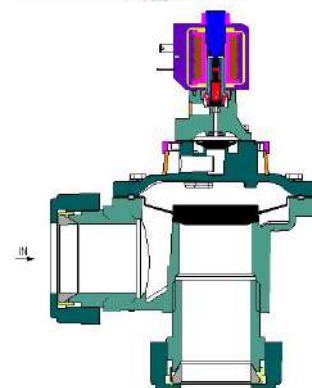
FUNCTION	INLET	OUTLET
NC	2	1

Contact Rotex for
• Any other ambient, fluid temperature, media and application



CONTACT ROTEX BEFORE SELECTING THIS ITEM

SM



SPARES

(Refer page 25 for ordering code)

SPARE KIT	CODE
Diaphragm Kit : Diaphragm Kit	100
Seal Kit : Oring Set Diaphragm Kit, Plunger Assembly	98
Repair Kit : Oring Set, Diaphragm, Plunger Assembly, Fastener, Springs, Dresser Nut Silencer, Guide Assembly	99
Solenoid Kit : Solenoid, Gasket and Nut	34

APPROVAL

(* applied for)

Approval	TYPE 4X, 6P	IP67	Ex d IIC T4 or T5 or T6 IP66	Ex ia IIC T6 IP67	DGMS	CCOE
		✓	✓		✓	✓
CE		✓	✓			
UL	✓		*			
			✓			
EAC			✓			
			✓			



40 NB DRESSER NUT DOUBLE DIAPHRAGM PULSE JET SOLENOID VALVE

SPECIFICATION

SIZE	DRESSER NUT	PRE-SSURE bar		ORIFICE (mm)	FLOW FACTOR kv (LPM OF WATER @ 1 bar ΔP)	VALVE TYPE	PILOT PRESSURE	BODY MATERIAL AND INTERNALS						SEALS				MANUAL OVERRIDE		SOLENOID ENCLOSURE		SUFFIX		POWER VA		CONSTRUCTION REFERENCE NUMBER
		MINIMUM	MAXIMUM					ALUMINIUM	ALUMINIUM + SS	BRASS (STD. PORT NPT)	SS 316/CF8 (STD. PORT NPT)	NBR	Viton	EPDM	HYTREL	PTFE	NIL	STAYPUT CUM MOMENTARY	MOMENTARY	FLYING LEAD	PLUG IN, IP67	SQ. PLUG IN, IP67	TERMINAL BOX IP67	EXPLOSION PROOF IIC, IP67	LARGE ENCLOSURE	

DRESSER NUT INTEGRAL PILOT

11/2"	12D	0.5	8.5	52	1100	24106		*						*					22	T	E				14	18	12	8	P13
-------	-----	-----	-----	----	------	-------	--	---	--	--	--	--	--	---	--	--	--	--	----	---	---	--	--	--	----	----	----	---	-----

Cable Entry	T	Øc/A	E	Øc/A	à
M20 x 1.5	FJ	HU	iiTÜ	iiTÜ	iiSVTÜ
M25 x 1.5			ii	ii	iiSV
1/2" NPT	fi	H	ii bÜ	ii bÜ	ii SvÜ

* = Do not specify when opted for. Refer Page # 22 for Value of *

ORDERING CODE, EXAMPLE

VALVE + SOLENOID

TYPE – PORT CONNECTION – BODY AND INTERNALS – SEAL +

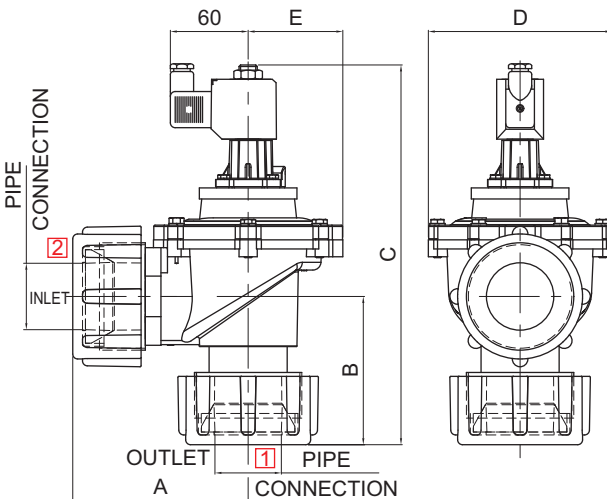
VOLTAGE - CURRENT – SOLENOID ENCLOSURE – INSULATION – APPROVAL

e.g. 24106-52-12D+III-220V 50Hz-16-H

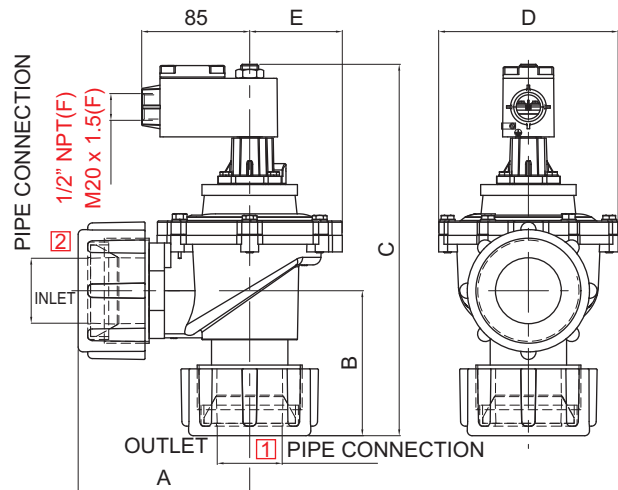
DIMENSIONS

All Dimensions are in mm

CONSTRUCTION REFERENCE P13



PLUG IN SOLENOID TYPE 22/ 25



TERMINAL BOX/ Ex d/ LARGE ENCLOSURE, TYPE 16, 19, 37, 39, 58, 58LT

VALVE TYPE	NW	PIPE CONN.	A	B	C	D	E
24106	52	1-1/2"	117	95	278	141	73

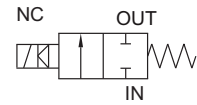


TANK MOUNTED PULSE JET SOLENOID VALVE

TYPE	PRESSURE

TYPE	PRESSURE
24114BET	0.5 - 8.5 bar

TYPE	PRESSURE
24114	0.5 - 8.5 bar
24114B	0.5 - 8.5 bar
24114ET	0.5 - 8.5 bar



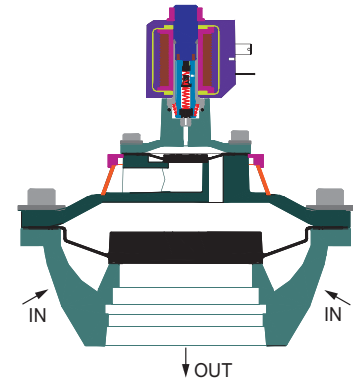
FEATURES

- Pulse jet valve with two diaphragm designed for large flow, fast ON and OFF response
- Larger exhaust area for reducing noise
- Solenoid capable of turning 360°
- Tank mounted



WETTED PARTS

Code	※
Body and Internals	Aluminium Die Cast
Guide Assembly	SS 304
Shadow-Ring	Copper
Plunger, Insert	SS 430
Diaphragm	Hytrel, Viton, NBR
Fasteners	SS 304
Seat, Seals	NBR, Viton, PTFE



SPECIFICATION

RESPONSE TIME 30 ms
MINIMUM ELECTRICAL PULSE 50 ms

AMBIENT TEMPERATURE

5 °C to 85 °C

FLUID TEMPERATURE

5 °C to 85 °C

SPECIAL VERSION AND SUFFIX

Suffix : (Valve) AM
Special version : (Solenoid) CO, FR, SS

PORT CONNECTION

FUNCTION	INLET	OUTLET
NC	2	1

Contact Rotex for
• Any other ambient, fluid temperature, media and application

SPARES

(Refer page 25 for ordering code)

SPARE KIT	CODE
Diaphragm Kit : Diaphragm Kit	100
Seal Kit : Oring Set, Diaphragm Kit Plunger Assembly	98
Repair Kit : Oring Set, Diaphragm Kit Plunger Assembly, Fastener, Springs	99
Solenoid Kit : Solenoid, Gasket and Nut	34

APPROVAL

(* applied for)

Approval	TYPE 4X, 6P	IP67	Ex d IIC T4 or T5 or T6 IP66	Ex ia IIC T6 IP67	DGMS	CCOE
		✓	✓		✓	✓
CE		✓	✓			
UL	✓		*			
			✓			
			✓			
			✓			



TANK MOUNTED PULSE JET SOLENOID VALVE

SPECIFICATION

PORT CONNECTION	PRE-SSURE bar	ORIFICE (mm)	VALVE TYPE	PILOT PRESSURE	BODY MATERIAL AND INTERNALS		SEALS				MANUAL OVERRIDE		SOLENOID ENCLOSURE		SUFFIX	POWER VA		CONSTRUCTION REFERENCE NUMBER
					ALUMINIUM	ALUMINIUM + SS	BRASS (STD. PORT NPT)	SS 316/SS 316L (STD. PORT NPT)	NBR	Viton+PTFE	EPDM	HYTREL	PTFE	NIL		STAYPUT CUM MOMENTARY	FLYING LEAD	

INTEGRAL PILOT																				
12SB			1100	24114ET	*															
11/2"	12SB		1100	24114BET	*															
2"	16SB		1300	24114ET	*															
2"	16SB		1300	24114BET	*															
2 1/2"	20SB	0.5	8.5	65	2000	24114ET	*													
2 1/2"	20SB	0.5	8.5	65	2000	24114BET	*													
3"	24SB		3000	24114ET	*															
3"	24SB		3000	24114BET	*															

Cable Entry	T	E	
M20 x 1.5	FJ	HU	ITU
M25 x 1.5		II	ISV
1/2" NPT	FI	IPU	ISVP

* = Do not specify when opted for. Refer Page # 22 for Value of *

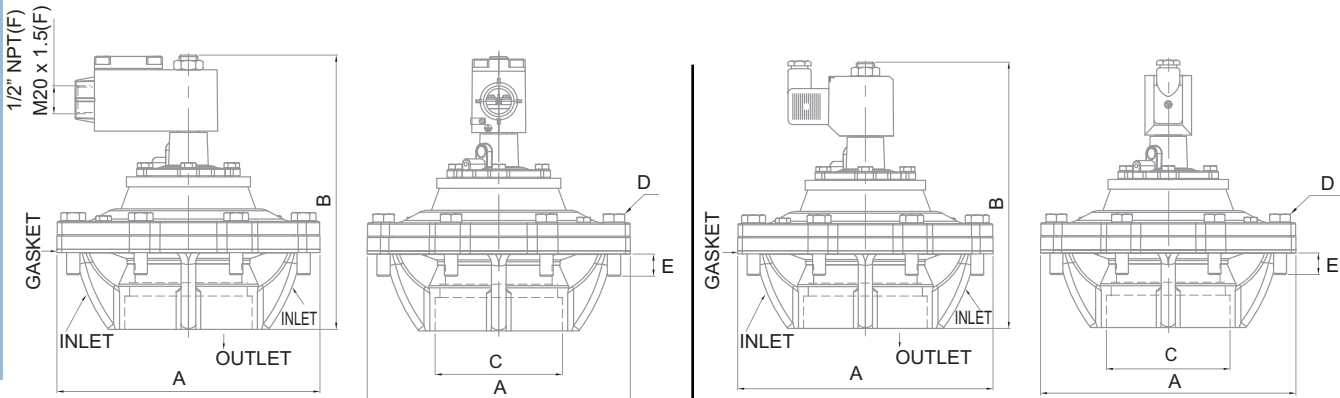
ORDERING CODE, EXAMPLE VALVE + SOLENOID

TYPE – PORT CONNECTION – BODY AND INTERNALS – SEAL +
 VOLTAGE- CURRENT – SOLENOID ENCLOSURE – POWER – INSULATION – APPROVAL
 e.g. 24114ET-80-SB-S8+I-220V-50Hz-16-H

DIMENSIONS

All Dimensions are in mm

CONSTRUCTION REFERENCE P15



TERMINAL BOX/ Ex d/ LARGE ENCLOSURE, TYPE 16, 19, 37, 39, 58, 58L

PLUG IN SOLENOID TYPE 22/ 25

XC&X&A'Y&U&	BY	CE	Ó	Ô	Ö	Ò
G FFI ÖV	í €	FJÍ	Fí F	HÁÚÓ	Tí eí	Fí
G FFI ÖOV	í €	FJÍ	Fí F	HÁÚÓ	Tí eG	FF
G FFI ÖV	í í	Fí Ì	Fí G	G&F&A&U&Ó	Tí eG	éí
G FFI ÖOV	í í	Fí Ì	Fí G	G&F&A&U&Ó	Tí eFí	FF
G FFI ÖV	í G	Fí Í	Fí J	GÁÚÓ	Tí eHE	éí
G FFI ÖOV	í G	Fí Í	Fí J	GÁÚÓ	Tí eFí	FG
G FFI ÖV	í G	Fí Í	Fí J	F&F&A&U&Ó	Tí eHE	éí
G FFI ÖOV	í G	Fí Í	Fí J	F&F&A&U&Ó	Tí eFí	FG

11

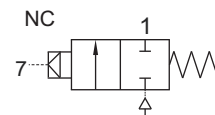
4

25 NB REMOTE PILOT PULSE JET VALVE

TYPE	PRESSURE

TYPE	PRESSURE

TYPE	PRESSURE
26108	0.5 - 8.5 bar



FEATURES

- Remote operation where electric supply not permitted
- Select valve type 20159 to operate the valve Refer page 369 to 372

WETTED PARTS

Code	※	B5
Body and Internals	Aluminium Die Cast	SS 316 Cast
Diaphragm	Hytrel, Viton	
Fasteners	SS 304	
Seat, Seals	NBR, Viton	

SPECIFICATION

FLOW FACTOR		
SIZE	3/4"	1"
(kv) lpm	280	310

RESPONSE TIME DEPENDS ON PILOT VALVE ORIFICE AND PIPE LENGTH BETWEEN PILOT AND VALVE

AMBIENT TEMPERATURE

-5 °C to 85 °C

FLUID TEMPERATURE

-5 °C to 85 °C

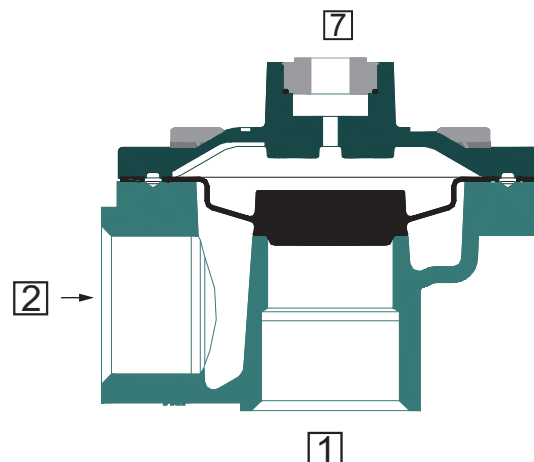
PORT CONNECTION

INLET	OUTLET	PILOT
2	1	7

- Contact Rotex for
- Any other ambient, fluid temperature, media and application



Use 2/2 NC PILOT Type 20159, 3.5 mm orifice for operating this valve.



SPARES (Refer page 25 for ordering code)

SPARE KIT	CODE
Diaphragm Kit : Diaphragm Kit	100
Seal Kit : Oring Set Diaphragm Kit	98
Repair Kit : Oring Set, Diaphragm Kit, Fastener	99

11



25 NB REMOTE PILOT PULSE JET VALVE

SPECIFICATION

SIZE	PORT CONNECTION		PRE-SSURE bar		ORIFICE (mm)	FLOW FACTOR kv (LPM OF WATER @ 1 bar ΔP)	VALVE TYPE	PILOT PRESSURE	BODY MATERIAL AND INTERNALS						SEALS					MANUAL OVERRIDE		SOLENOID ENCLOSURE		SUFFIX		POWER VA		CONSTRUCTION REFERENCE NUMBER			
	BSP(F)	NPT(F)	MINIMUM	MAXIMUM					ALUMINIUM	ALUMINIUM + SS	BRASS (STD. PORT NPT)	SS 316/CF8 (STD. PORT NPT)	NBR	Viton	EPDM	HYTREL	PTFE	NIL	STAYPUT CUM MOMENTARY	MOMENTARY	FLYING LEAD	PLUG IN, IP67	SQ. PLUG IN, IP67	TERMINAL BOX IP67	FPJUB Ex d IIC, T4 OR T6, IP67	LARGE ENCLOSURE	SOLENOID SIZE		OXYGEN	AMONIA	AC INRUSH
REMOTE PILOT																															
3/4"	6G	6R	0.5	8.5	28	280	26108	×				B12	S0	S2	×																P17
1"	8G	8R	0.5	8.5	28	310	26108	×				B12	S0	S2	×																P17

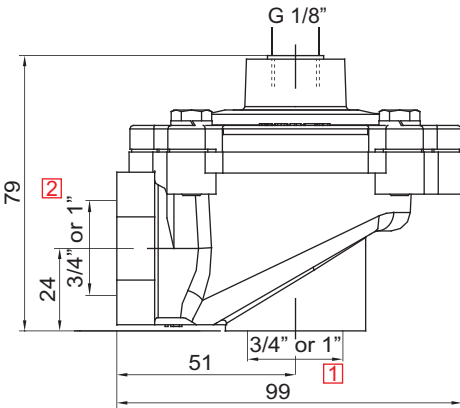
× = Do not specify when opted for. Refer Page # 22 for Value of ×
 ✓ = Options available

ORDERING CODE, EXAMPLE VALVE

TYPE - ORIFICE - PORT CONNECTION - BODY AND INTERNALS - SEAL
 e.g. 26108-28-6G

DIMENSIONS All Dimensions are in mm

CONSTRUCTION REFERENCE P17

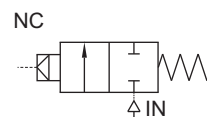


40/ 50 NB REMOTE PILOT DOUBLE DIAPHRAGM PULSE JET VALVE

TYPE	PRESSURE

TYPE	PRESSURE

TYPE	PRESSURE
26106	0.5 - 8.5 bar



FEATURES

- Pulse jet valve with double Diaphragm for remote operation with fast ON and OFF response
- Select valve type 20159 to operate the valve Refer page 369 to 372

WETTED PARTS

Code	※	B5
Body and Internals	Aluminium Die Cast	SS 316 Cast
Diaphragm	Hytrel, Viton	
Fasteners	SS 304	
Seat, Seals	NBR, Viton	



SPECIFICATION

FLOW FACTOR

RESPONSE TIME DEPENDS ON PILOT VALVE ORIFICE AND PIPE LENGTH BETWEEN PILOT AND VALVE

AMBIENT TEMPERATURE

-5 °C to 85 °C

FLUID TEMPERATURE

-5 °C to 85 °C

PORT CONNECTION

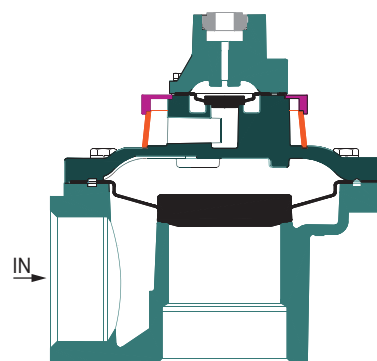
INLET	OUTLET	PILOT
2	1	3

Contact Rotex for

- Any other ambient, fluid temperature, media and application



Use 2/2 NC PILOT Type 20159, 3.5 mm orifice for operating this valve.



SPARES (Refer page 25 for ordering code)

SPARE KIT	CODE
Diaphragm Kit : Diaphragm Kit	100
Seal Kit : Oring Set, Diaphragm Kit	98
Repair Kit : Oring Set, Diaphragm Kit, Fastener	99



40/ 50 NB REMOTE PILOT DOUBLE DIAPHRAGM PULSE JET VALVE

SPECIFICATION

PORT CONNECTION		PRE-SSURE bar		ORIFICE (mm)	FLOW FACTOR kv (LPM OF WATER @ 1 bar ΔP)	VALVE TYPE	PILOT PRESSURE	BODY MATERIAL AND INTERNALS					SEALS					MANUAL OVERRIDE		SOLENOID ENCLOSURE		SUFFIX		POWER VA		CONSTRUCTION REFERENCE NUMBER					
SIZE	BSP(F) NPT(F)	MINIMUM	MAXIMUM					ALUMINIUM	ALUMINIUM + SS	BRASS (STD. PORT NPT)	SS 316/CF8 (STD. PORT NPT)	NBR	Viton	EPDM	HYTREL	PTFE	NIL	STAYPUT CUM MOMENTARY	MOMENTARY	FLYING LEAD	PLUG IN, IP67	SQ. PLUG IN, IP67	TERMINAL BOX IP67	FPJIB Ex d IIC, T4 OR T6, IP67	LARGE ENCLOSURE		SOLENOID SIZE	OXYGEN	AMONIA	AC INRUSH	AC HOLDING
REMOTE PILOT																															
1 1/2"	12G 12R	0.5	8.5	52	1100	26106		*					S0	S2	*																P19
		0.5	8.5	52	1100	26106A		*		B12	S0	S2	*																		P19
2"	16G 16R	0.5	8.5	52	1300	26106		*		B12	S0	S2	*																		P19
		0.5	8.5	65	1800	26106		*			S0	S2	*																		P19
2 1/2"	20G 20R	0.5	8.5	65	2000	26106		*			S0	S2	*																		P19

ORDERING CODE, EXAMPLE

VALVE

※ = Do not specify when opted for. Refer Page # 22 for Value of ※

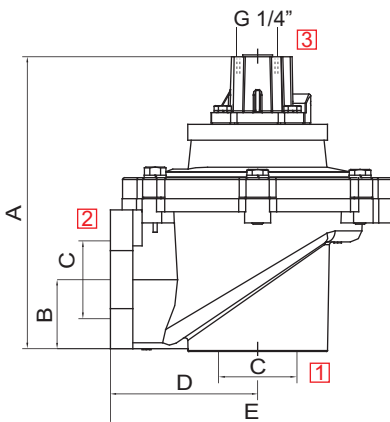
TYPE - ORIFICE - PORT CONNECTION - BODY AND INTERNALS - SEAL

e.g. 26106-52-16G.

DIMENSIONS

All Dimensions are in mm

CONSTRUCTION REFERENCE P19



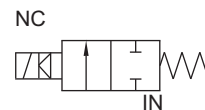
VALVE TYPE	NW	PIPE CONN.	A	B	C	D	E
24106	52	1 1/2"	138	38.5	1 1/2"	79	151.5
24106	52	2"	138	38.5	2"	79	151.5
24106A	52	1 1/2"	153	32.5	1 1/2"	72	144.5
24106	65	2"	159	45	2"	96	180
24106	65	2 1/2"	159	45	2 1/2"	96	180

25 NB REMOTE PILOT DRESSER NUT PULSE JET VALVE

TYPE	PRESSURE

TYPE	PRESSURE

TYPE	PRESSURE
26108D	0.5 - 8.5 bar



FEATURES

- Direct pipe mounted
- Select valve type 20159 to operate the valve Refer to page 369 to 372
- Easily removable

WETTED PARTS

Code	※
Body and Internals	Aluminium Die Cast
Diaphragm	Hytrel, Viton
Fasteners	SS 304
Seat, Seals	NBR, Viton

SPECIFICATION

FLOW FACTOR



RESPONSE TIME DEPENDS ON PILOT VALVE ORIFICE AND PIPE LENGTH BETWEEN PILOT AND VALVE

AMBIENT TEMPERATURE

-5 °C to 85 °C

FLUID TEMPERATURE

-5 °C to 85 °C

PORT CONNECTION

INLET	OUTLET	PILOT
2	1	3

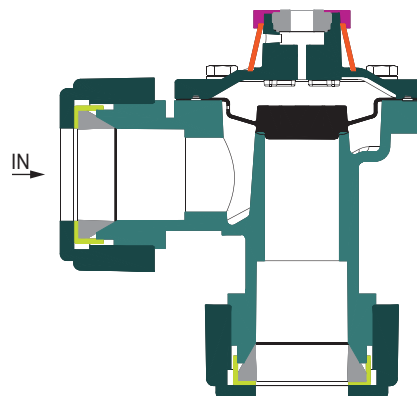
Contact Rotex for
• Any other ambient, fluid temperature, media and application



Use 2/2 NC PILOT Valve Type 20159, 3.5 mm orifice for operating this valve.

CONTACT ROTEX BEFORE SELECTING THIS ITEM

SM



SPARES (Refer page 25 for ordering code)

SPARE KIT	CODE
Diaphragm Kit : Diaphragm Kit	100
Seal Kit : Oring Set, Diaphragm Kit	98
Repair Kit : Oring Set, Diaphragm Kit Fastener	99

11



25 NB REMOTE PILOT DRESSER NUT PULSE JET VALVE

SPECIFICATION

SIZE	DRESSER NUT	PRE-SSURE bar		ORIFICE (mm)	FLOW FACTOR Kv (LPM OF WATER @ 1 bar ΔP)	VALVE TYPE	PILOT PRESSURE	BODY MATERIAL AND INTERNALS					SEALS					MANUAL OVERRIDE			SOLENOID ENCLOSURE		SUFFIX		POWER VA		CONSTRUCTION REFERENCE NUMBER				
		MINIMUM	MAXIMUM					ALUMINIUM	ALUMINIUM + SS	BRASS	SS 316/ CF8	NBR	Viton	EPDM	HYTREL	PTFE	NIL	STAYPUT CUM MOMENTARY	MOMENTARY	FLYING LEAD	PLUG IN, IP67	SQ. PLUG IN, IP67	TERMINAL BOX IP67	FPUB Ex d IIC, T4 OR T6, IP67	LARGE ENCLOSURE	SOLENOID SIZE		OXYGEN	AMONIA	AC INRUSH	AC HOLDING
REMOTE PILOT																															
3/4"	6D	0.5	8.5	28	280	26108D		×																							P21
1"	8D	0.5	8.5	28	310	26108D		×																							P22

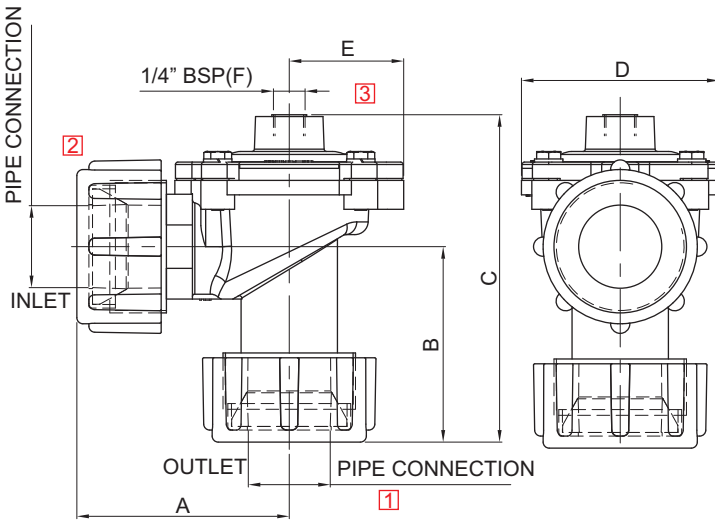
× = Do not specify when opted for. Refer Page # 22 for Value of ×
 ✓ = Options available

ORDERING CODE, EXAMPLE VALVE

TYPE - ORIFICE - PORT CONNECTION - BODY AND INTERNALS - SEAL
 e.g. 26108D-28-8D

DIMENSIONS All Dimensions are in mm

CONSTRUCTION REFERENCE P21



VALVE TYPE	NW	PIPE CONN	A	B	C	D	E	Con. Reg
26108D	28	3/4"	88	81	136	82	48	21
26108D	28	1"	88	81	136	82	48	22

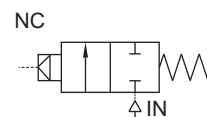


40 NB REMOTE PILOT DOUBLE DIAPHRAGM DRESSER NUT PORT PULSE JET VALVE

TYPE	PRESSURE

TYPE	PRESSURE

TYPE	PRESSURE
26106D	0.5 - 8.5 bar



FEATURES

- Pulse jet valve with double Diaphragm for remote operation with fast ON and OFF response
- Select valve type 20159 to operate the valve. Refer page 369 to 372
- Direct pipe mounted
- Easily removable

WETTED PARTS

Code	※	B5
Body and Internals	Aluminium Die Cast	SS 316 Cast
Diaphragm	Hytrel, Viton	
Fasteners	SS 304	
Seat, Seals	NBR, Viton	

SPECIFICATION

FLOW FACTOR

RESPONSE TIME DEPENDS ON PILOT VALVE ORIFICE AND PIPE LENGTH BETWEEN PILOT AND VALVE

AMBIENT TEMPERATURE

-5 °C to 85 °C

FLUID TEMPERATURE

-5 °C to 85 °C

PORT CONNECTION

INLET	OUTLET	PILOT
2	1	3

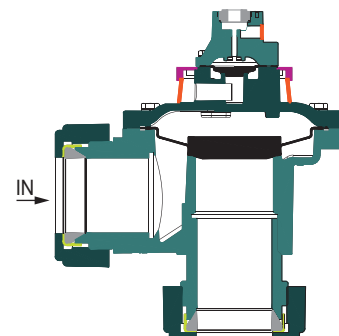
Contact Rotex for
• Any other ambient, fluid temperature, media and application



Use 2/2 NC PILOT Type 20159, 3.5mm orifice for operating this valve.

CONTACT ROTEX BEFORE SELECTING THIS ITEM

SM



SPARES

(Refer page 25 for ordering code)

SPARE KIT	CODE
Diaphragm Kit : Diaphragm Kit	100
Seal Kit : Oring Set, Diaphragm Kit	98
Repair Kit : Oring Set, Diaphragm Kit, Fastener	99

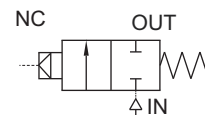


80 NB REMOTE PILOT TANK MOUNTED DOUBLE DIAPHRAGM PULSE JET VALVE

TYPE	PRESSURE

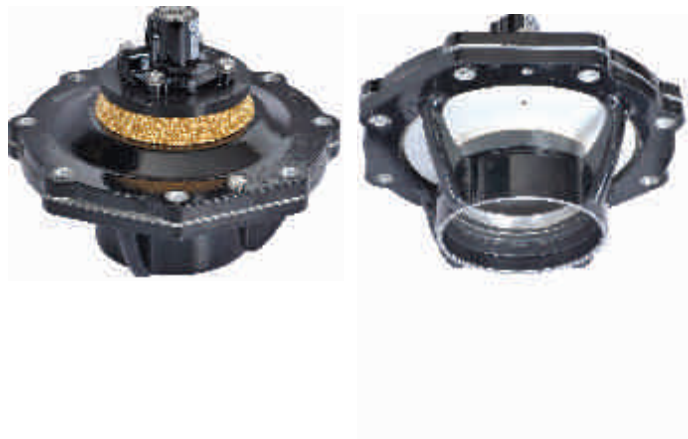
TYPE	PRESSURE

TYPE	PRESSURE
26114	0.5 - 8.5 bar



FEATURES

- Pulse jet valve with double Diaphragm for remote operation with fast ON and OFF response
- Select valve type 20159 to operate the valve Refer to page 369 to 372
- Tank mounted



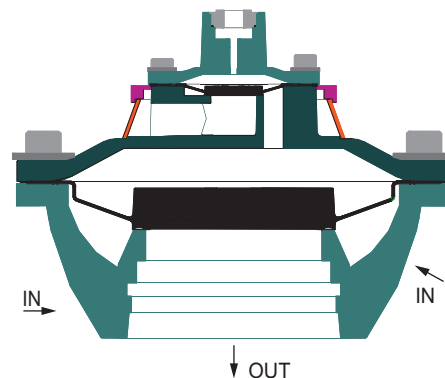
WETTED PARTS

Code	※
Body and Internals	Aluminium Die Cast
Diaphragm	Hytrel, Viton
Fasteners	SS 304
Seat, Seals	NBR, Viton

SPECIFICATION

FLOW FACTOR

RESPONSE TIME DEPENDS ON PILOT VALVE ORIFICE AND PIPE LENGTH BETWEEN PILOT AND VALVE



AMBIENT TEMPERATURE

-5 °C to 85 °C

FLUID TEMPERATURE

-5 °C to 85 °C

SPARES

(Refer page 25 for ordering code)

SPARE KIT	CODE
Seal Kit : Oring Set, Diaphragm Kit	98
Repair Kit : Oring Set, Fastener, Diaphragm Kit	99

PORT CONNECTION

INLET	OUTLET	PILOT
2	1	3

- Contact Rotex for
- Any other ambient, fluid temperature, media and application



Use 2/2 NC PILOT Type 20159, 3.5mm orifice for operating this valve.

80 NB REMOTE PILOT TANK MOUNTED DOUBLE DIAPHRAGM PULSE JET VALVE

SPECIFICATION

SIZE	SUBBASE	PRE-SSURE bar		ORIFICE (mm)	FLOW FACTOR kv (LPM OF WATER @ 1 bar ΔP)	VALVE TYPE	PILOT PRESSURE	BODY MATERIAL AND INTERNALS					SEALS					MANUAL OVERRIDE		SOLENOID ENCLOSURE		SUFFIX		POWER VA		CONSTRUCTION REFERENCE NUMBER				
		MINIMUM	MAXIMUM					ALUMINIUM	ALUMINIUM + SS	BRASS	SS 316/CF8	NBR	Viton	EPDM	HYTREL	PTFE	NIL	STAYPUT CUM MOMENTARY	MOMENTARY	FLYING LEAD	PLUG IN, IP67	SQ. PLUG IN, IP67	TERMINAL BOX IP67	FPJB Ex d IIC, T4 OR T6, IP67	LARGE ENCLOSURE		SOLENOID SIZE	OXYGEN	AMONIA	AC INRUSH
REMOTE PILOT																														
3"	24SB	0.5	8.5	80	3000	26114	*																							P24

※ = Do not specify when opted for. Refer Page # 22 for Value of ※
 √ = Options available

ORDERING CODE, EXAMPLE

VALVE

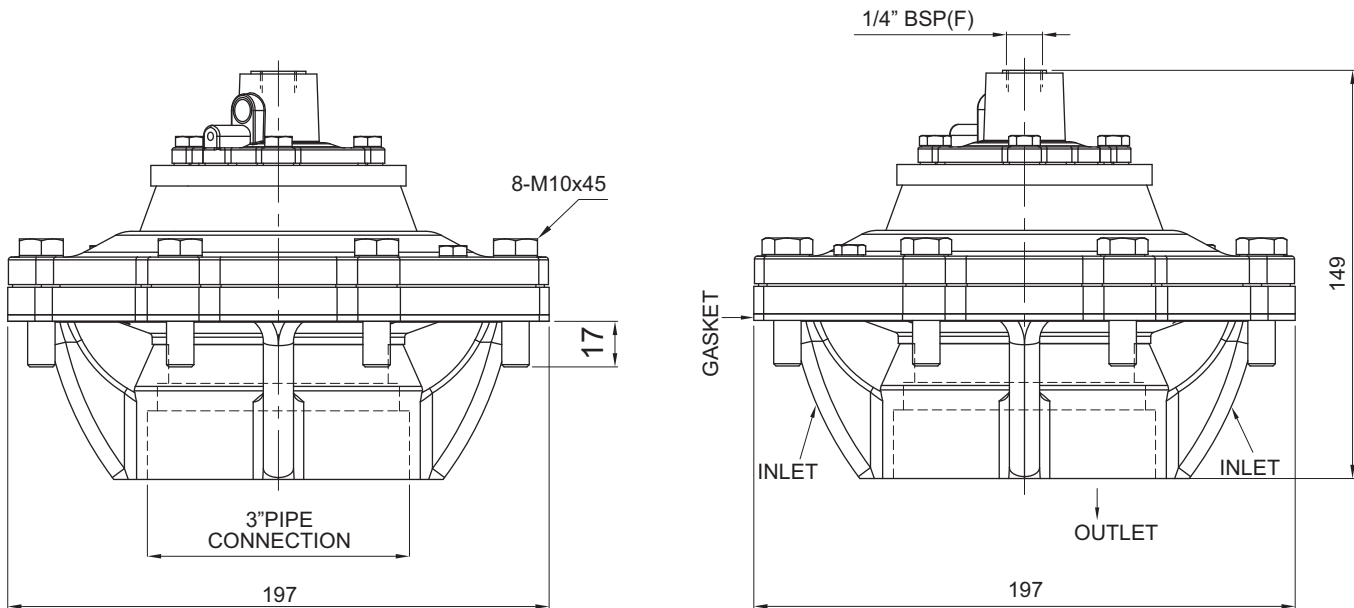
TYPE - ORIFICE - PORT CONNECTION - BODY AND INTERNALS - SEAL

e.g. 26114-80-24SB

DIMENSIONS

All Dimensions are in mm

CONSTRUCTION REFERENCE P24



PULSE JET VALVE WITH INTRINSICALLY SAFE SOLENOID



SPECIFICATION

3/4" to 3" valve can be operated with Intrinsically safe Solenoid with booster circuit

AMBIENT TEMPERATURE

-5 °C to 70 °C

FLUID TEMPERATURE

-5 °C to 70 °C

PORT CONNECTION

FUNCTION	INLET	OUTLET
NC	2	1

SPARES (Refer page 25 for ordering code)

SPARE KIT	CODE
Diaphragm Kit : Diaphragm Kit	100
Seal Kit : Oring Set Diaphragm Kit, Plunger Assembly	98
Repair Kit : Oring Set, Diaphragm Kit, Plunger Assembly, Fastener, Springs Silencer, Guide Assembly	99
Solenoid Kit : Solenoid, Gasket and Nut	34

APPROVAL (★ applied for)

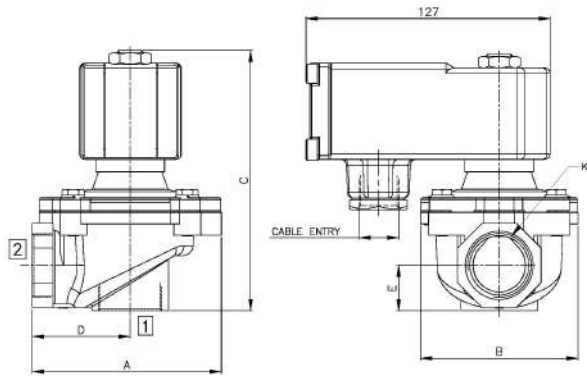
Approval	Nema 4X	IP67	Ex d IIC T4 or T5 or T6 IP66	Ex ia IIC T6 IP67	DGMS	CCOE
		✓	✓		✓	✓
CE		✓	✓			
UL	✓		*			
			✓			
EAC			✓			
			✓			



For valve detail refer to specification or individual page, Select solenoid code 66, 67, Due to response on time of the solenoid, switch on duration should be more than 1.6 sec.

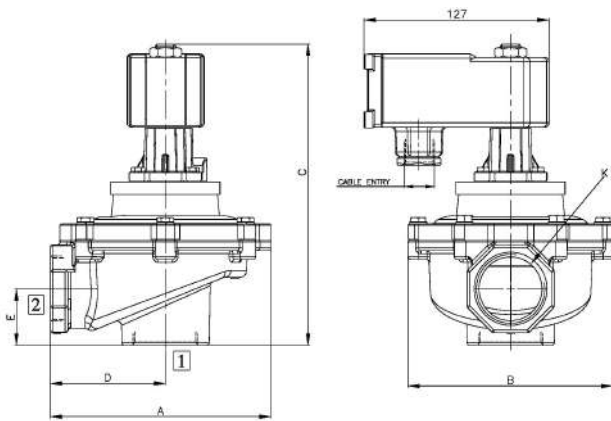


PULSE JET VALVE WITH INTRINSICALLY SAFE SOLENOID



Ex ia SOLENOID WITH BOOSTER CIRCUIT

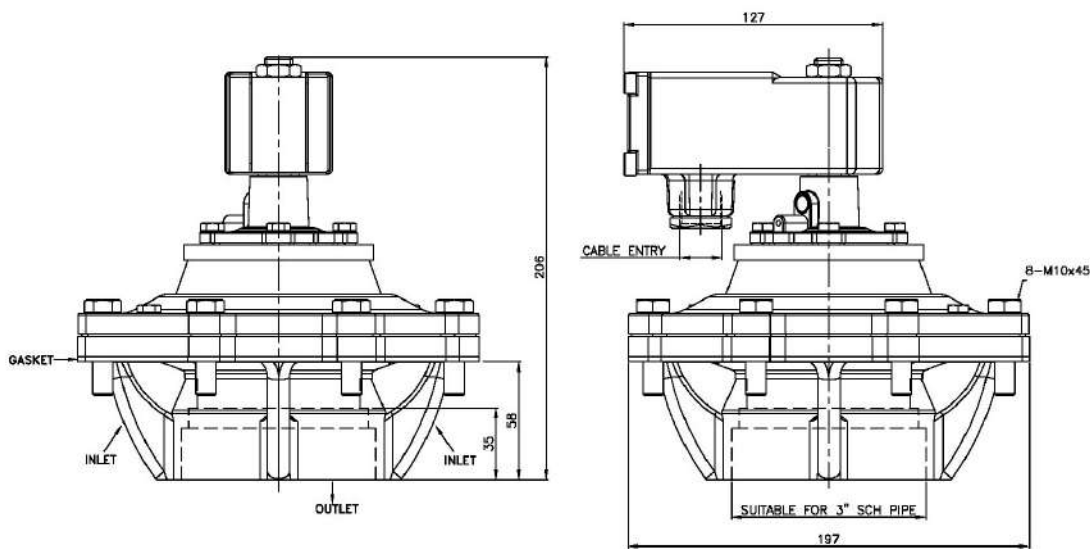
VALVE TYPE	PIPE CONN.	A	B	C	D	E
24108-28	3/4"	82	99	135	51	24
24108-28	1"	82	99	135	51	24



Ex ia SOLENOID WITH BOOSTER CIRCUIT

VALVE TYPE	NW	PIPE CONN.	A	B	C	D	E
24106	52	1 1/2"	152	141	205	79	39
24106	52	2"	152	141	205	79	39
24106	65	2"	180	169	232	96	46
24106	65	2 1/2"	180	169	232	96	46

11



Ex ia SOLENOID WITH BOOSTER CIRCUIT



PULSE JET VALVE

ELECTRICAL

	Power	Inrush	Hold ON
AC	6 W	18 VA	12 VA
DC	8 W	8 VA	8 VA

Voltage Variation : $\pm 20\%$
 Pick Up : $\leq 70\%$ OF RATED VOLTAGE
 Drop Down : $\geq 10\% \leq 30\%$ OF RATED DC VOLTAGE
 : $\leq 65\%$ OF RATED AC VOLTAGE
 Plunger Response : ≤ 8 ms

INSTALLATION SET UP

- 1 Set pressure in the tank.
- 2 Adjust electrical switch ON pulse increasing from minimum to ensure efficient cleaning of the bags.
- 3 Adjusting higher electrical pulse will result more air consumption.
- 4 Adjust duration between two pulses reasonably long. Too short duration will result in higher air consumption.

SOLENOID CONSTRUCTION

VOLTAGE	CURRENT	SIZE	SOLENOID ENCLOSURE		
			WEATHER PROOF	EXPLOSION PROOF	
12	50 Hz	I	TYPE	CABLE ENTRY	
24	60 Hz	III	Flying Lead IP54	×	1/2" NPT M20 x 1.5
48	DC		Flying Lead 600 mm	01	FPJB
110			Flying Lead 1500 mm	04	Ex d IIC, T4 OR T5 OR T6, IP66
220			Flying Lead 3000 mm	05	Side Cable Entry 37 39
240			Terminal Box 1/2" NPT, IP67	16	INTRINSICALLY SAFE SOLENOID WITH CIRCUIT, Ex ia IIC T6, IP67
			Terminal Box M20 X 1.5, IP67	19	
			Plug in PG9 , IP67	22	Bottom Cable Entry 66NS 66MS
			Square Plug IN, IP67	25	
			36 mm wide Plug IN (size I), IP67	22	
			TB multi pin connector, IP67	70	
			SS Cast, Terminal Box 1/2" NPT, IP67	16-CO	
			SS Cast, Terminal Box M20 X 1.5, IP67	19-CO	

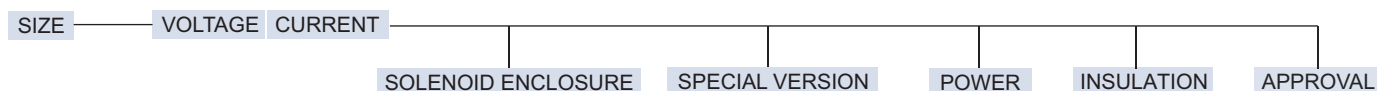
PULSE JET VALVE

ORDERING CODE

VALVE CODE

TYPE	ORIFICE	PORT CONNECTION		BODY AND COVER		DIAPHRAGM + SEAL	
		Size					
28	-	3/4"		6G	6R	Aluminium	*
28	-	1"		8G	8R	SS	B12
52	-	1.1/2"		12G	12R		
52	-	2"		16G	16R		
65	-	2"		16G	16R		
65	-	2 1/2"		20G	20R		
80	-	3"		24G	24R		

SOLENOID CODE



ORDERING EXAMPLE

VALVE CODE + SOLENOID

eg. I. 24108-28-8G+B12-S0+III-24VDC-37-C0-H-01

II. 24106-52-12G+III-220V-50Hz-16

III. 100-24108-28-6R-B5-S2 is diaphragm and plunger assembly of viton for valve type 24108-28

IV. Spare Solenoid

I-230V-50 Hz-16-F

V. Valve Spare

VALVE SPARES

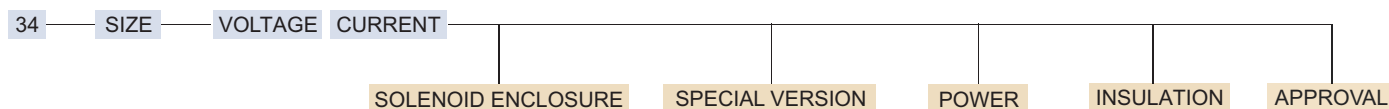
SPARE CODE	TYPE	a		b		c		d	
		ORIFICE	PORT CONNECTION	BODY AND COVER	DIAPHRAGM + SEAL				
Diaphragm Assembly	100					HYTREL + NBR	*		
Repair Kit	99					Viton	S2		
Seal Kit	98					NBR	S0		
						TPU	S25		

DIAPHRAGM KIT: Diaphragm Assembly

REPAIR KIT : Set of O rings, Plunger Assembly, Diaphragm Assembly, Fasteners, Guide Assembly

SEAL KIT : Set of O rings, Plunger Assembly, Diaphragm set

SPARE SOLENOID



Refer [page 424 to 432](#) for the information regarding the Solenoid or Refer label affixed on the ROTEX Solenoid.